

Setting up a blade holder for an Ioline

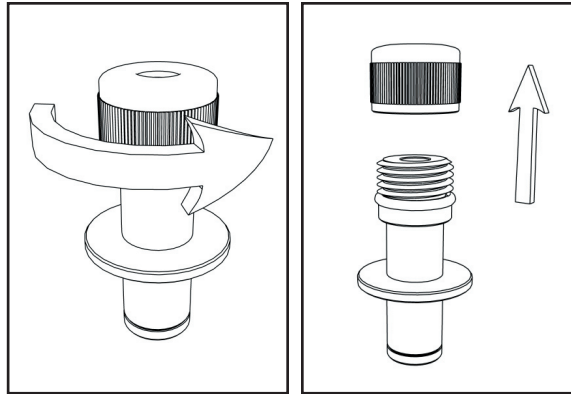
300 System

(Original style carriage)

IOLINE™

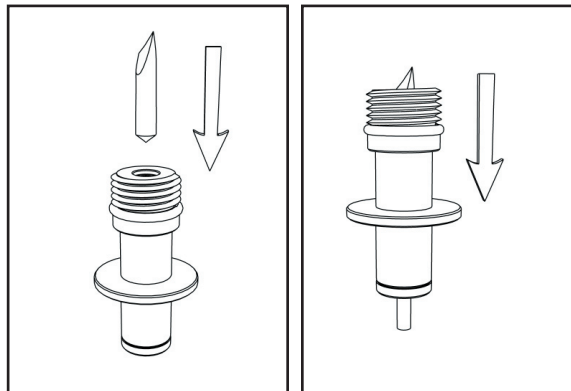
14140 NE 200th St.
Woodinville, WA. 98072
(425) 398-8282

1. Unscrew the cap on the blade holder and remove it from the blade holder.

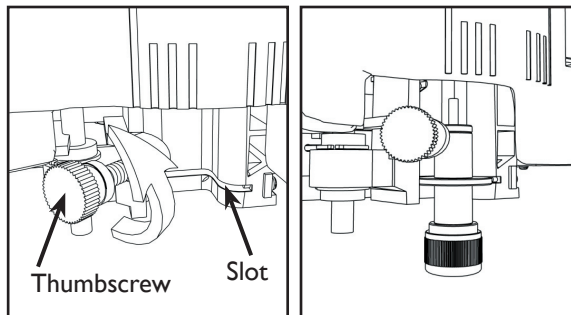


2. Insert the blade into the blade holder and push the blade into the blade holder until it 'CLICKS'. Screw the cap back onto the blade holder.

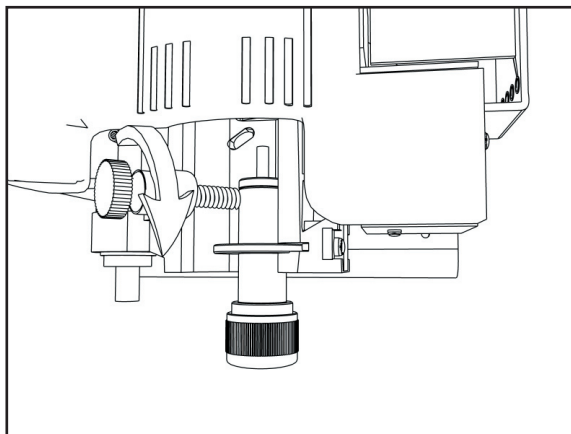
See the 300 user guide for proper blade depth adjustment.



3. Unscrew the thumbscrew on the carriage and put the blade holder into the carriage jaw as shown.



4. Tighten the thumbscrew on the carriage. The end of the screw should be tight and pressing against the blade holder.



CAUTION



DO NOT use a hard surface to push the blade into the blade holder. Doing so will cause permanent damage to the blade.



Note

When the blade is fully inserted into the blade holder the 'plunger' at the bottom will stick out. This is used for blade removal when needed.



Note

Line up the large disk on the blade holder with the slot opening on the carriage. See diagram.

If problems arise contact Ioline Tech Support.