

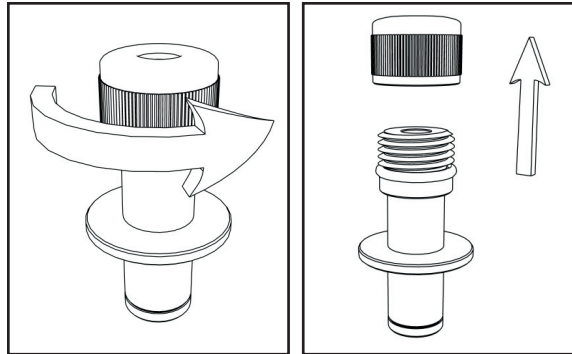
Setting up a blade holder for an Ioline 300 System & 350HF

(New style carriage)



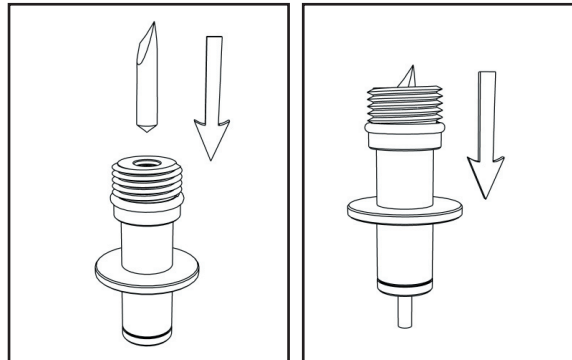
14140 NE 200th St.
Woodinville, WA. 98072
(425) 398-8282

1. Unscrew the cap on the blade holder and remove it from the blade holder.

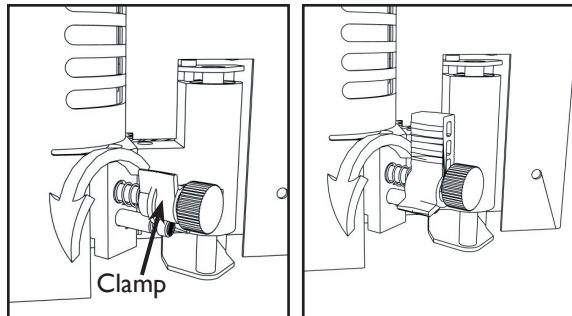


2. Insert the blade into the blade holder and push the blade into the blade holder until it 'CLICKS'. Screw the cap back onto the blade holder.

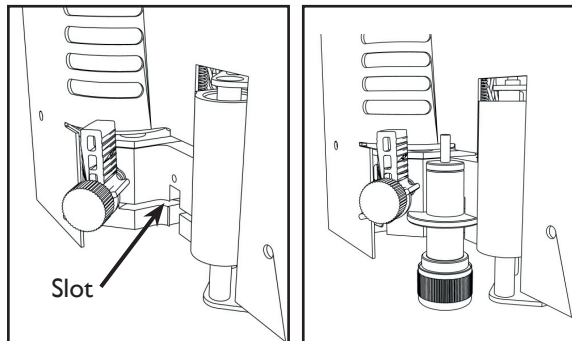
See the 300/350HF user guide for proper blade depth adjustment.



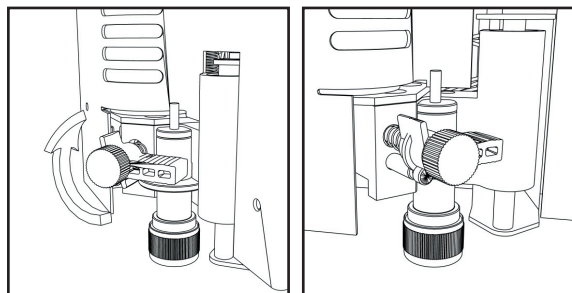
3. Unscrew the thumbscrew on the carriage and rotate the clamp so it is up.



4. Insert the blade holder making sure you put the enlarged disk into the slot on the carriage.



5. Rotate the clamp back down and tighten the thumbscrew until the blade holder is secure.



If problems arise contact Ioline Tech Support.

CAUTION



DO NOT use a hard surface to push the blade into the blade holder. Doing so will cause permanent damage to the blade.



Note

When the blade is fully inserted into the blade holder the 'plunger' at the bottom will stick out. This is used for blade removal when needed.



Note

Line up the large disk on the blade holder with the slot opening on the carriage. See diagram.