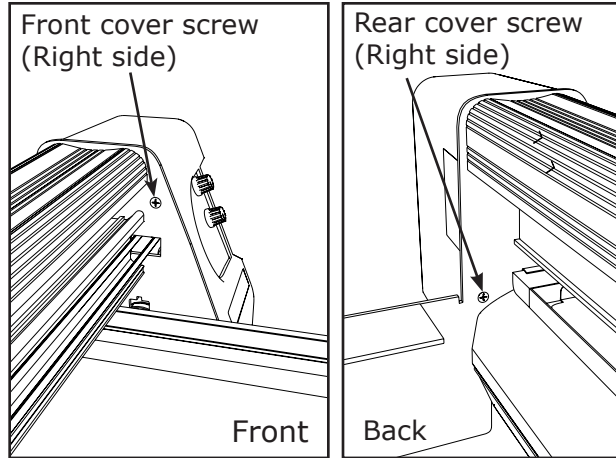


Right Side Cover Removal

Unplug the power and data cable from the back of the machine.

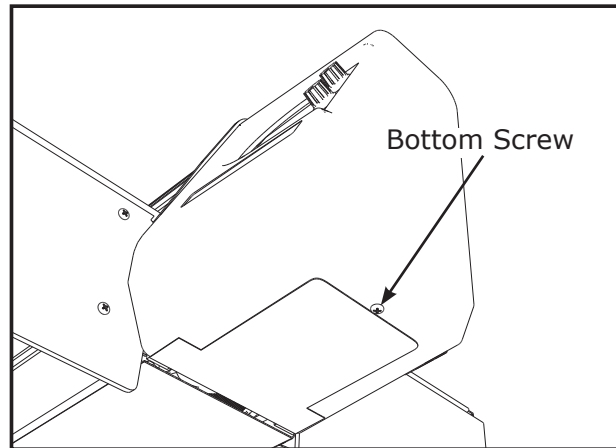
- ① Remove the 2 black Phillips screws shown.



Tools Required:
Phillips Screwdriver

Applies to:
300 System

- ② Remove the silver phillips screw on the bottom of the cover.



- ③ Remove the right side cover of the machine by pulling it to the right. Once the cover hits the knobs on the keypad, rotate the cover toward the front of the machine to remove.

