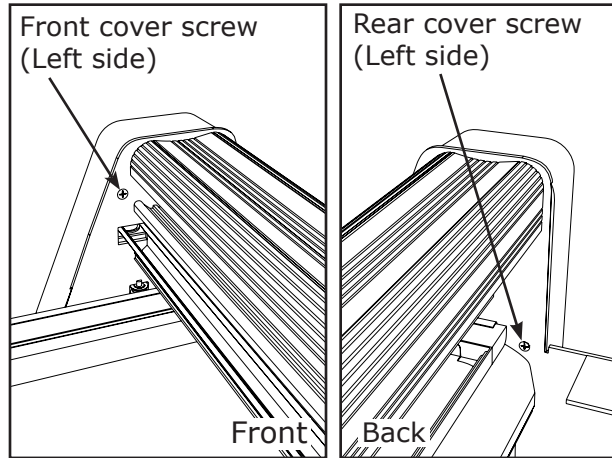


Left Side Cover Removal

Unplug the power and data cable from the back of the machine.

OLINE™
14140 NE 200th St.
Woodinville, WA. 98072
(425) 398-8282

- 1 Remove the 2 black Phillips screws shown.



Tools Required:
Phillips Screwdriver

Applies to:
300 System

- 2 Remove the left side cover of the machine by pulling it to the left.

