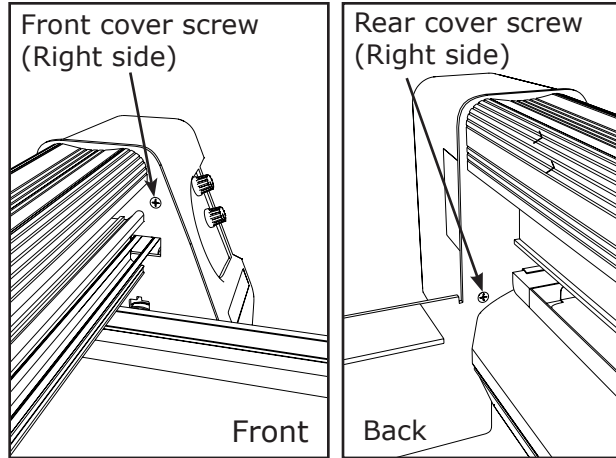


Right Side Cover Removal

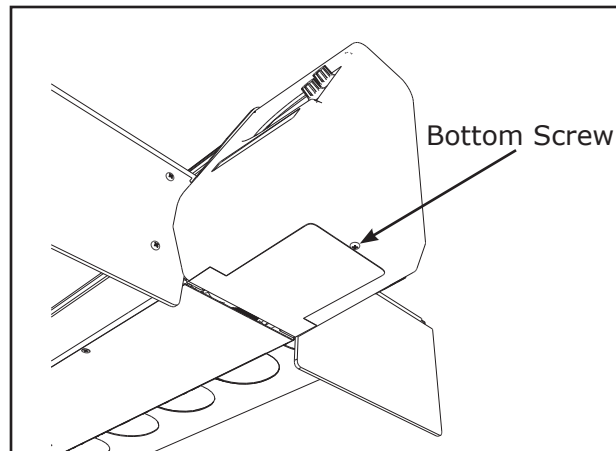
COLINE™
14140 NE 200th St.
Woodinville, WA. 98072
(425) 398-8282

Unplug the power and data cable from the back of the machine.

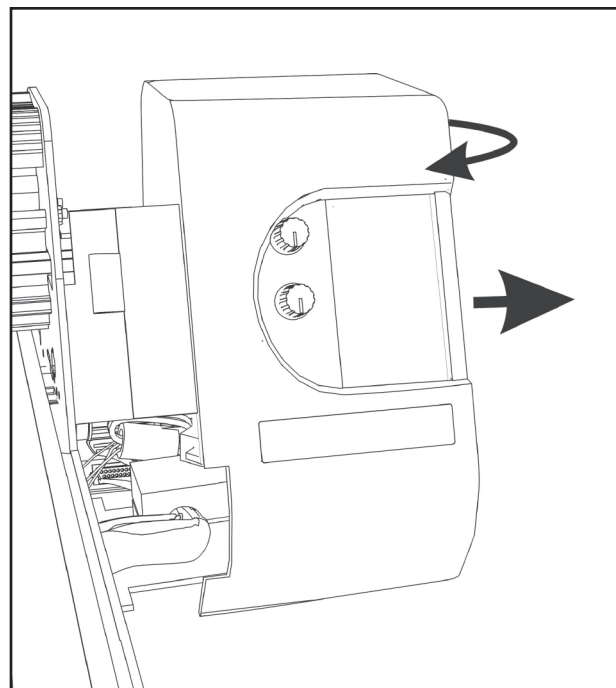
- 1 Removing the right cover**
Remove the 2 black Phillips screws shown.



- 2** Remove the silver phillips screw on the bottom of the cover.



- 3** Remove the right side cover of the machine by pulling it to the right. Once the cover hits the knobs on the keypad, rotate the cover toward the front of the machine to remove.



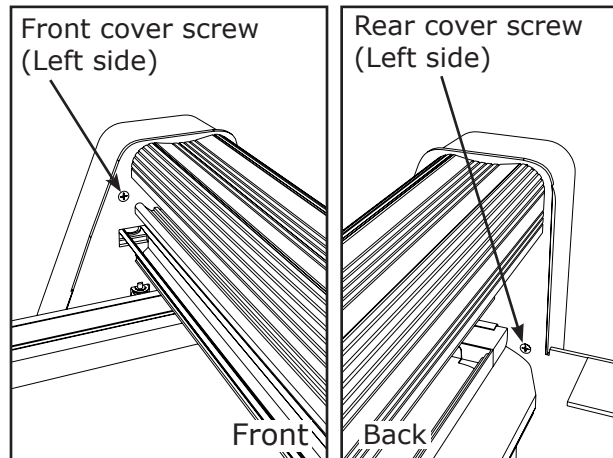
Tools Required:
Phillips Screwdriver

Applies to:
300 System
350HF

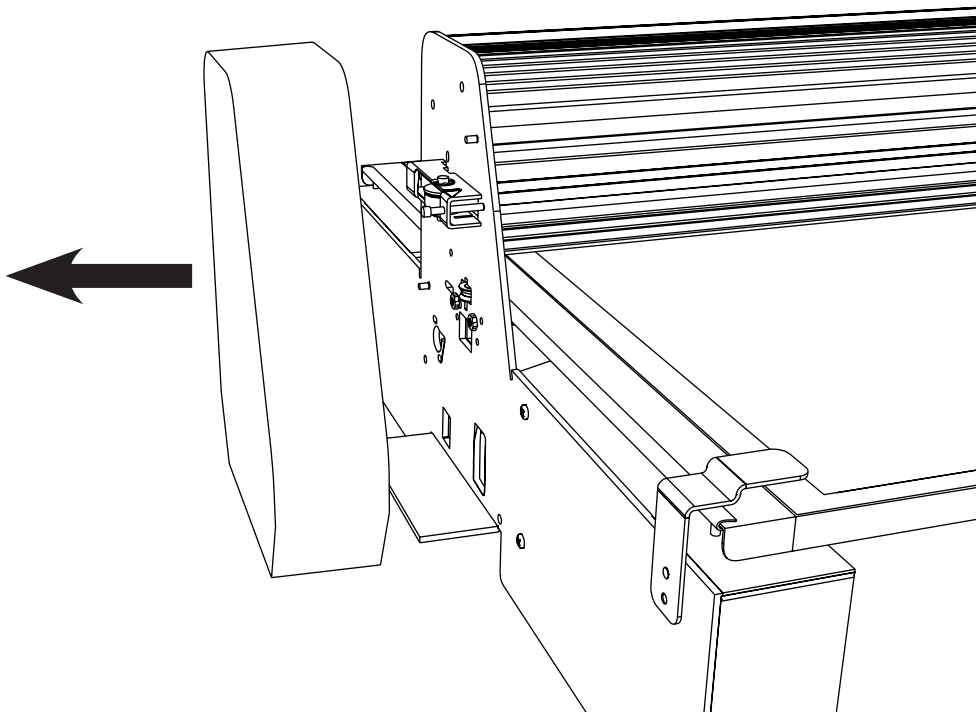
Left Side Cover Removal

IOLINE™
14140 NE 200th St.
Woodinville, WA. 98072
(425) 398-8282

- 1 Remove the 2 black Phillips screws shown.



- 2 Remove the left side cover of the machine by pulling it to the left.



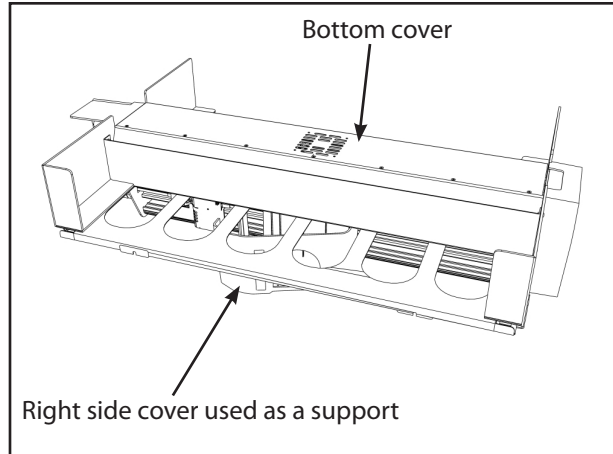
Tools Required:
Phillips Screwdriver

Applies to:
300 System
350HF

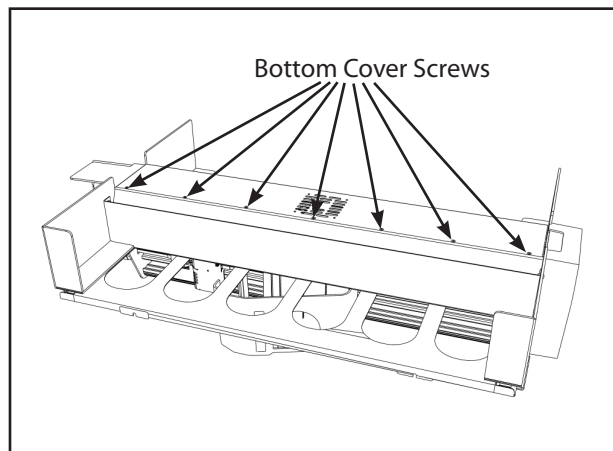
Bottom Cover Removal

IOLINE™
14140 NE 200th St.
Woodinville, WA. 98072
(425) 398-8282

- 1 Flip the machine over on to the top cover. You can use the right side cover as a support as shown.



- 2 Remove all the Phillips screws shown and carefully remove the cover.



Caution:

If the machine has a fan connected to the cover, carefully unplug the fan wire before completely removing the cover.